

Introduction

The Telaire Outside Air Enclosure 1551 houses any of the Telaire 8000 Series CO₂ Controllers. The enclosure is designed to operate in outside conditions ranging from -40°C to 70°C (-40°F to 158°F). The enclosure can also be used in humid or harsh environments typically found in greenhouses, livestock pens, or industrial areas.



Power Requirements

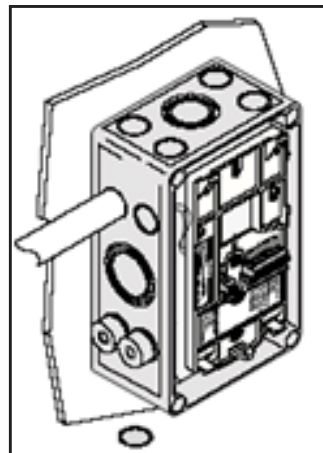
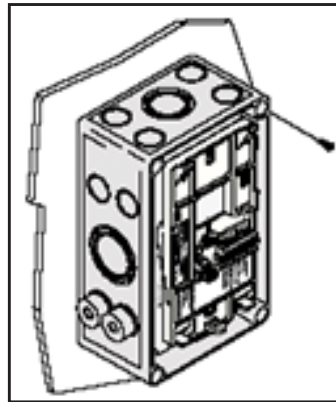
The Telaire Outside Air Enclosure 1551 has the following power requirements:

- 24V AC/DC - 1A (when used in temperatures below +10°C)
- 24V AC/DC - 0.2A (when used in temperatures above +10°C)

Mounting of Outside Air Enclosure and the CO₂ Controllers

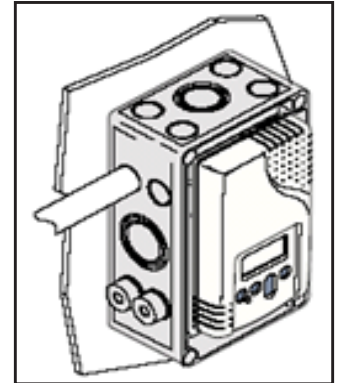
Mount the outside air enclosure and the CO₂ Controllers as follows:

1. Mount the outside air enclosure to a desired location, using four mounting screws being provided.
2. Remove the desired knockout plug to allow the connection of conduit and wiring.
3. Connect the conduit and the wiring to the outside air enclosure.

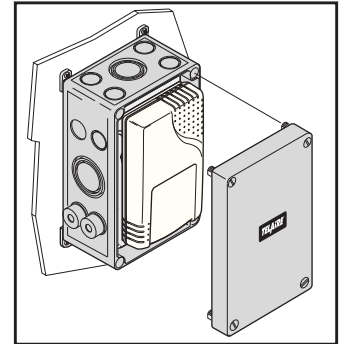


Note: Refer to the User Instruction Manual (INS8001) for details on Telaire 8000 Series Controllers.

4. Mount the Telaire 8000 Series CO₂ Controller into the outside air enclosure.



5. Install and secure cover on the controller and the outside air enclosure.



Warranty Repairs

Amphenol Thermometrics, Inc. will repair a Telaire product that fails to meet the terms provided for in the Return and Warranty Policy Statement (See, <http://www.amphenol-sensors.com>). Warranty period shall start from date of manufacture and be based on product category and type of equipment as specified in Table 1: Product Warranty Periods. For all warranty repairs, Amphenol Thermometrics, Inc. will bear all product repair parts, labor, and standard ground shipping charges.

This product is covered by one or more of the following patents:

5,650,624/5,721,430/5,444,249/5,747,808/5,834,777/5,163,332/
5,340,986/5,502,308/6,344,798/6,023,069/5,370,114/5,601,079/
5,691,704/5,767,776/5,966,077/6,107,925/5,798,700/5,945,924/
5,592,147/6,255,653/6,250,133/6,285,290

Customer Support Centers

U.S.A.

Sales and Services

(Repair/Calibration):

Amphenol Thermometrics, Inc.
St Marys Center
967 Windfall Road
St Marys, Pennsylvania 15857
U.S.A.
T: +1 814-834-9140
F: +1 814-781-7969

U.K.

Sales and Service:

Amphenol Thermometrics (U.K.) Limited
Crown Industrial Estate Priorswood Road
Taunton, TA2 8QY, UK
T: +44 1823-335-200

Brazil

Sales and Service

Amphenol TFC DO Brazil LTDA
Rodovia Governador Adhemar
Pereira de Barros KM 121,5 S/N
13098-396 Campinas
Sao Paulo, Brazil

U.S.A.

Technical Support:

Amphenol Thermometrics, Inc.
St Marys Center
967 Windfall Road
St Marys, Pennsylvania 15857
U.S.A.
T: +1 814-834-9140
F: +1 814-781-7969

China:

Amphenol (Changzhou)
Connector Systems
305 Room, 5D
Jintong Industrial Park
Wujin, Changzhou, Jiangsu, China
T:+86 519 8831 8080 ext. 50087
F:+86 519 8831 2601

Amphenol

Advanced Sensors

www.amphenol-sensors.com

www.telaire.com